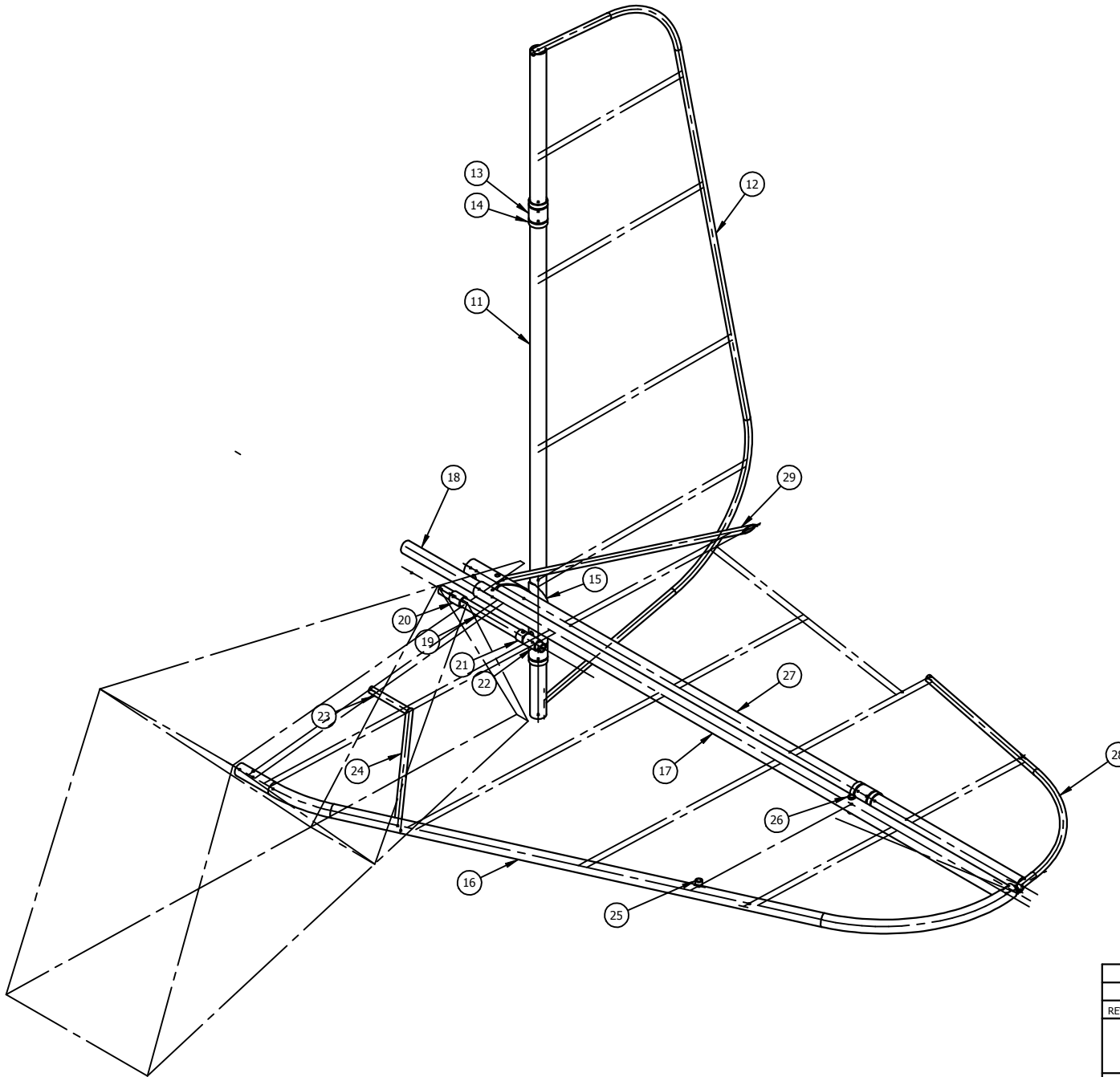


ITEM NO.	PARTNUMBER	QTY.	Description
11	39168-011	1	Tube 0.875 x 0.035
12	39168-012	1	Tube 0.375 x 0.035
13	39168-013	3	Tube 1.000 x 0.058
14	39168-014	5	Tube 1.000 x 0.058
15	39168-015	2	Tube 1.000 x 0.049
16	39168-016	1	Tube 0.750 x 0.035
17	39168-017	1	Tube 0.875 x 0.035
18	39168-018	1	Tube 0.750 x 0.065
19	39168-019	1	Tube 0.500 x 0.058
20	39168-020	1	Tube 0.625 x 0.058
21	39168-021	1	Tube 0.625 x 0.058
22	39168-022	1	Tube 0.625 x 0.058
23	39168-023	1	Tube 0.375 x 0.035
24	39168-024	1	Tube 0.375 x 0.035
25	39168-025	1	Tube 0.375 x 0.058
26	39168-026	1	Tube 0.375 x 0.058
27	39168-027	1	Tube 0.875 x 0.035
28	39168-028	1	Tube 0.375 x 0.035
29	39168-029	1	Tube 0.375 x 0.035



NOTES:

- REFER TO SUPER STINKER DRAWINGS FOR COMPLETE ASSEMBLY DETAILS. THIS DRAWING IS TO ASSIST WELD ASSEMBLY OF A VR3 PROFILED TUBE KIT. A COMPLETE SET OF PLANS MUST BE PURCHASED FROM AN AUTHORIZED SUPPLIER
- REFERENCE DATA
NO. OF PIECES PER TUBE KIT: 43 PCS
ESTIMATED TOTAL WEIGHT OF TUBES: 11 LBS
- MATERIAL SPECIFICATIONS
TUBING: 4130N SEAMLESS AIRCRAFT QUALITY TUBING
- ROLLED AND FORMED TUBES REQUIRE END TRIMMING TO SUIT
- HOLES ARE MADE SLIGHTLY UNDERSIZE. DRILL & REAM TO SUIT AT ASSEMBLY
- DOUBLE QUANTITIES AS REQUIRED TO SUIT RIGHT SIDE COMPONENTS

REV#N	DATE	DRAWN	APPRVD.	DESCRIPTION
VR3 ENGINEERING LTD MECHANICAL ENGINEERING & CUSTOM MACHINE DESIGN STRATFORD, ONTARIO, CANADA THIS DRAWING OR THE INFORMATION CONTAINED HEREIN MAY NOT BE REPRODUCED WITHOUT PERMISSION FROM VR3 ENGINEERING TUBE KIT: SUPER STINKER EMPENNAGE REF: SUPER STINKER EMPENNAGE DWG: 11-310 SHTS 1 & 2 DATED:12/21/94 ISO				
DRAWN: JJ	DATE: JUL 27 09	PROJECT NO.	DRAWING NO.	REV NO.
'C SCALE: 1:4		1132-09	39168-01	X