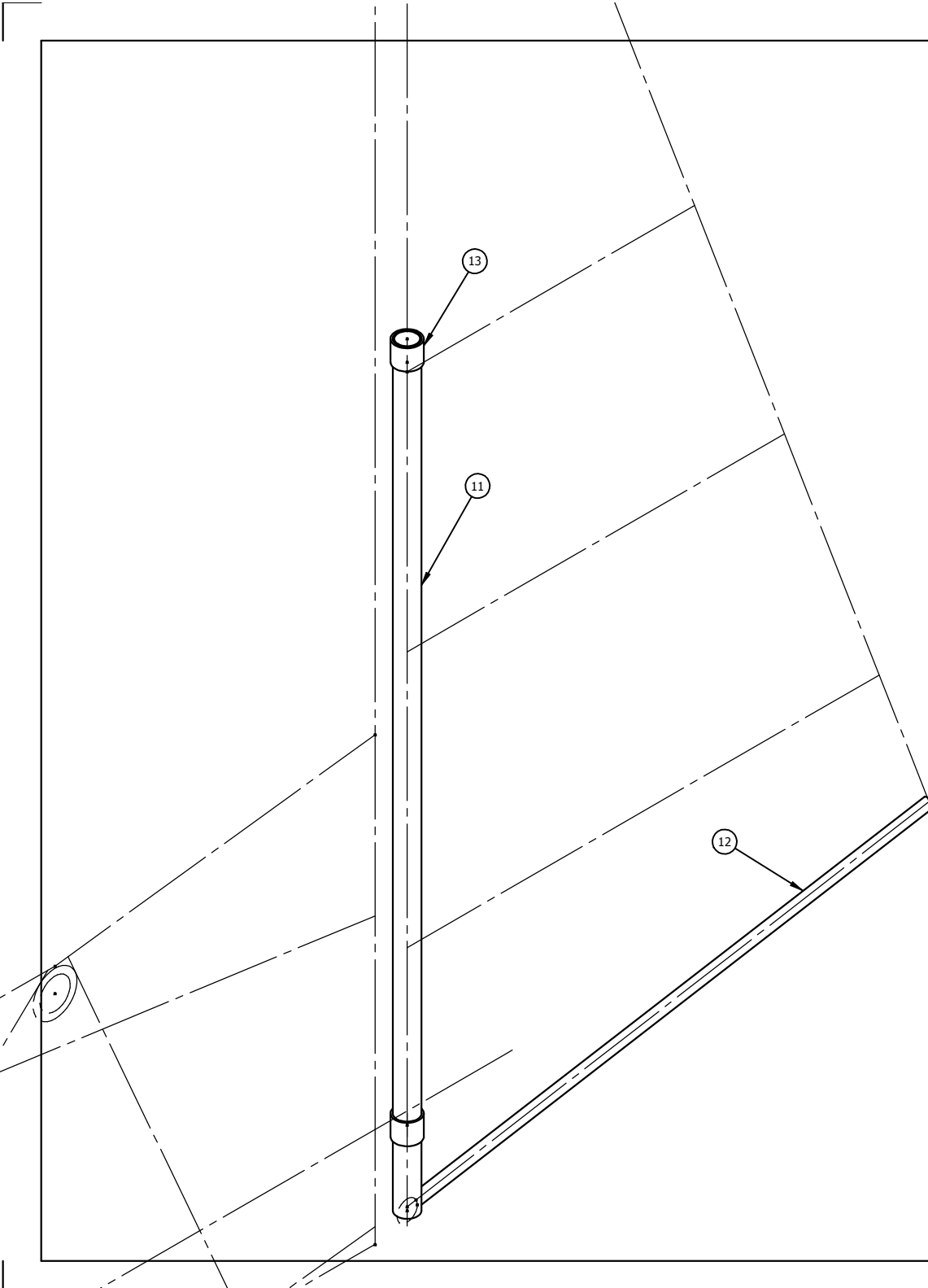


ITEM NO.	PARTNUMBER	QTY.	Description
11	39122-011	1	Tube 0.750 x 0.035
12	39122-012	1	Tube 0.375 x 0.028
13	39122-013	2	Tube 0.875 x 0.058



NOTES:

- REFER TO DESIGN DRAWINGS FOR COMPLETE ASSEMBLY DETAILS. THIS DRAWING IS TO ASSIST WELD ASSEMBLY OF A VR3 TUBE KIT. A COMPLETE SET OF PLANS MUST BE PURCHASED FROM AN AUTHORIZED PLANS PROVIDER.
- REFERENCE DATA
 NO OF PIECES PER TUBE KIT: 4 PCS
 ESTIMATED WEIGHT OF TUBES: 2 LBS
- MATERIAL SPECIFICATIONS
 TUBING: 4130N SEAMLESS AIRCRAFT QUALITY TUBING

REV#	DATE	DRAWN	APPRVD	DESCRIPTION
VR3 ENGINEERING LTD MECHANICAL ENGINEERING & CUSTOM MACHINE DESIGN STRATFORD, ONTARIO, CANADA THIS DRAWING OR THE INFORMATION CONTAINED HEREIN MAY NOT BE REPRODUCED WITHOUT PERMISSION FROM VR3 ENGINEERING				
TUBE KIT ASSEMBLY: RUDDER				
WITTMAN TAILWIND W-10				
REFERENCE W-10 DRAWINGS 1999 W/ 'C MODEL' MODIFICATIONS				
DRAWN: JJ	DATE: FEB08-08	PROJECT NO.	DRAWING NO.	REV NO.
C' SCALE: 1:2		838-07	39138-00	X