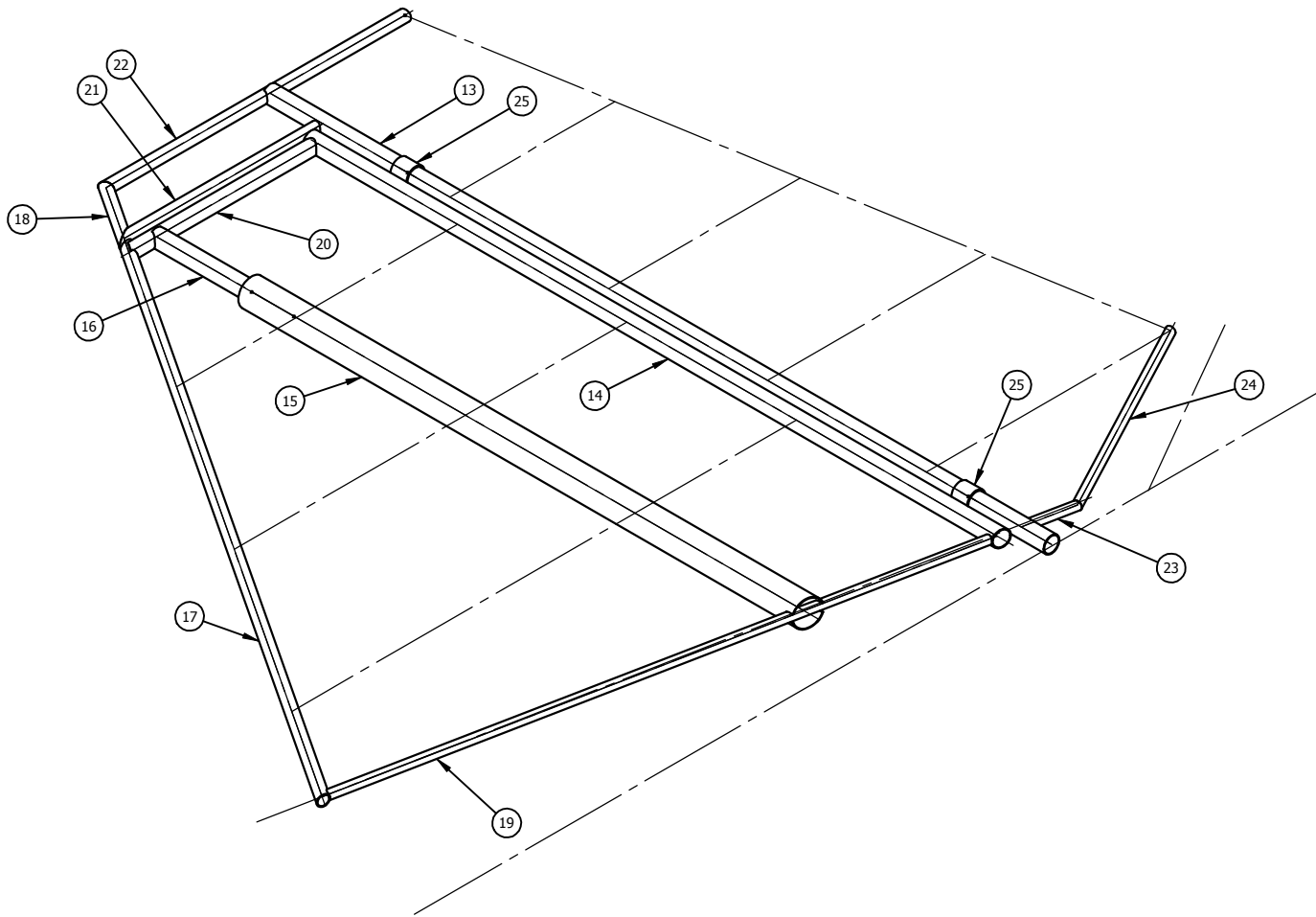


ITEM NO.	PARTNUMBER	QTY.	Description
13	39122-013	1	Tube 0.750 x 0.035
14	39122-014	1	Tube 0.750 x 0.035
15	39122-015	1	Tube 1.250 x 0.035
16	39122-016	1	Tube 0.750 x 0.035
17	39122-017	1	Tube 0.500 x 0.035
18	39122-018	1	Tube 0.500 x 0.035
19	39122-019	1	Tube 0.375 x 0.028
20	39122-020	1	Tube 0.625 x 0.035
21	39122-021	1	Tube 0.500 x 0.035
22	39122-022	1	Tube 0.500 x 0.035
23	39122-023	1	Tube 0.375 x 0.028
24	39122-024	1	Tube 0.375 x 0.028
25	39122-025	2	Tube 0.875 x 0.058



NOTES:

- REFER TO W-10 DRAWINGS FOR COMPLETE ASSEMBLY DETAILS. THIS DRAWING IS TO ASSIST WELD ASSEMBLY OF A VR3 PROFILED TUBE KIT. A COMPLETE SET OF PLANS MUST BE PURCHASED FROM WITTMAN TAILWIND
- MATERIAL SPECIFICATIONS  
TUBING: 4130N SEAMLESS AIRCRAFT QUALITY TUBING
- ROLLED AND FORMED TUBES REQUIRE END TRIMMING TO SUIT
- HOLES ARE MADE SLIGHTLY UNDERSIZE. DRILL & REAM TO SUIT AT ASSEMBLY
- DOUBLE QUANTITIES AS REQUIRED TO SUIT LEFT SIDE COMPONENTS

REV#	DATE	DRAWN	APPRVD.	DESCRIPTION
<b>VR3 ENGINEERING LTD</b> MECHANICAL ENGINEERING & CUSTOM MACHINE DESIGN STRATFORD, ONTARIO, CANADA THIS DRAWING OR THE INFORMATION CONTAINED HEREIN MAY NOT BE REPRODUCED WITHOUT PERMISSION FROM VR3 ENGINEERING <b>TUBE KIT ASSEMBLY: RIGHT SIDE HORIZ STAB &amp; ELEVATOR WELDMENT</b> <b>WITTMAN TAILWIND W-10</b> <b>REFERENCE W-10 DRAWINGS 1999 EDITION W/ 'C MODEL' MODIFICATIONS</b>				
DRAWN: JJ	DATE: FEB08-08	PROJECT NO.	DRAWING NO.	REV NO.
'C' SCALE: 1:3		838-07	39122-00	X