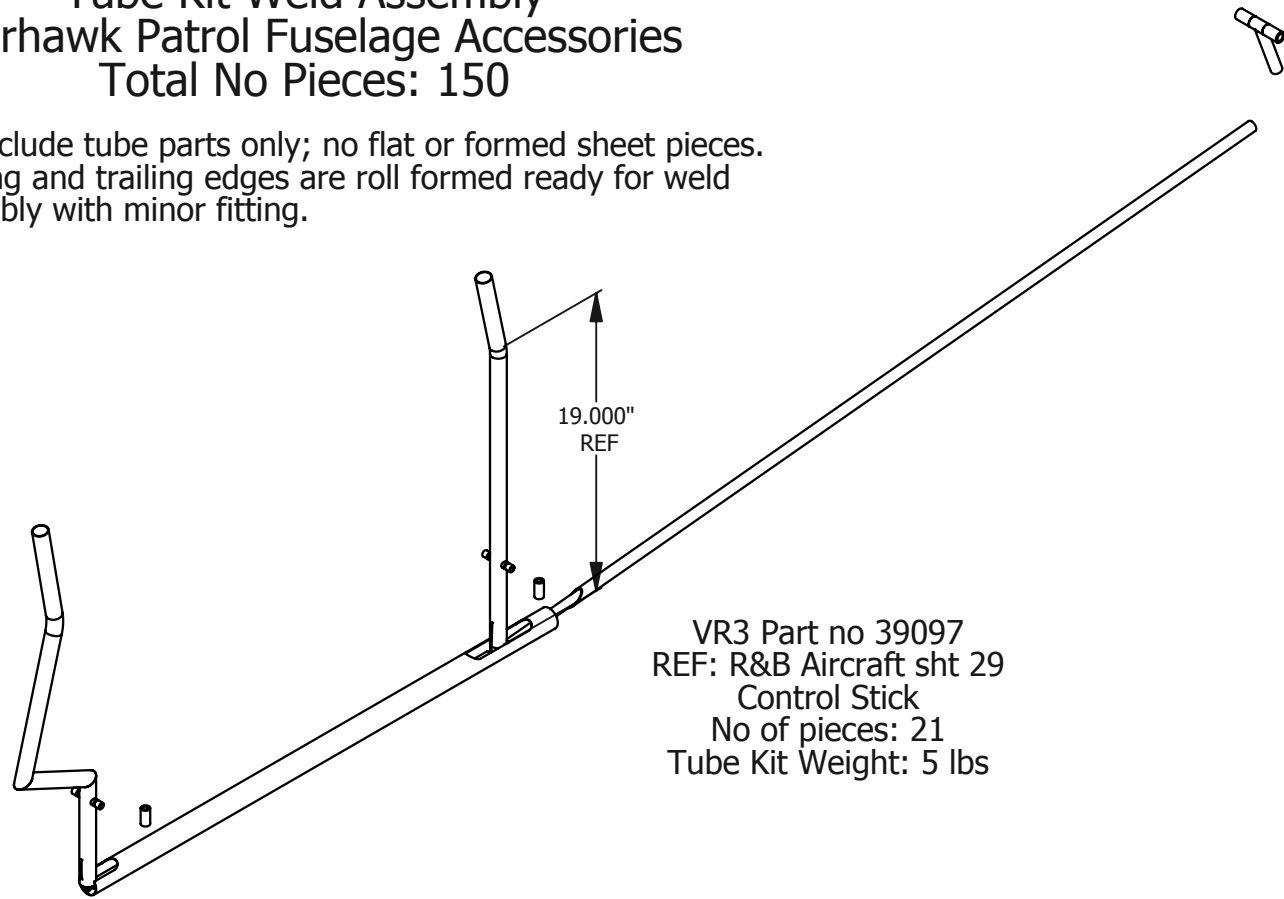
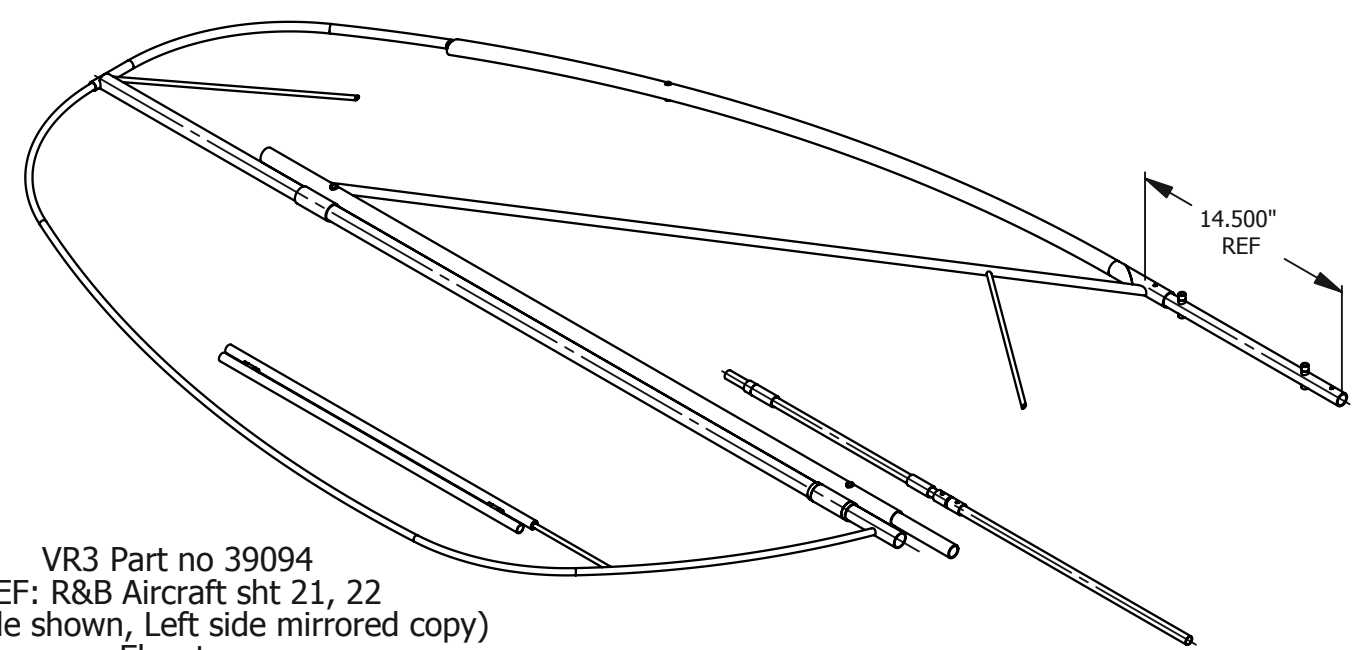


**Tube Kit Weld Assembly**  
**Bearhawk Patrol Fuselage Accessories**  
**Total No Pieces: 150**

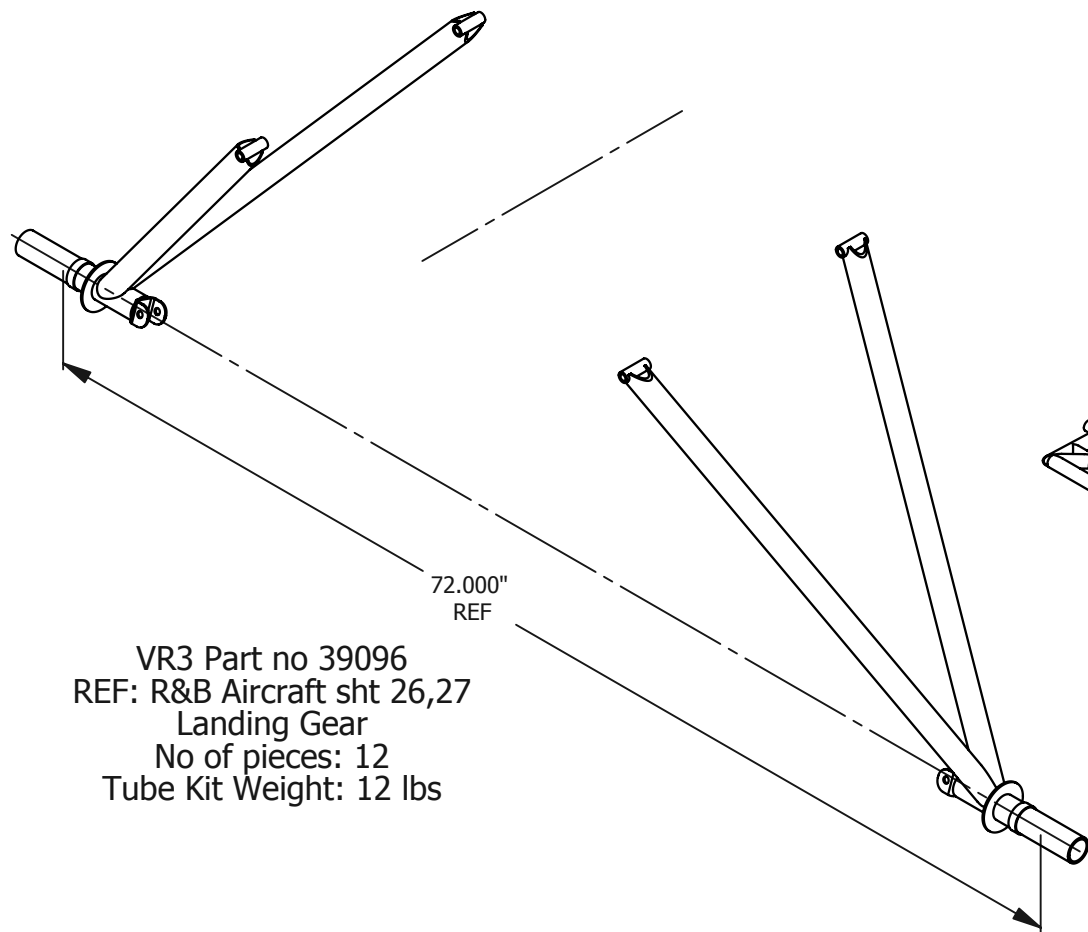
Kits include tube parts only; no flat or formed sheet pieces.  
 Leading and trailing edges are roll formed ready for weld  
 assembly with minor fitting.



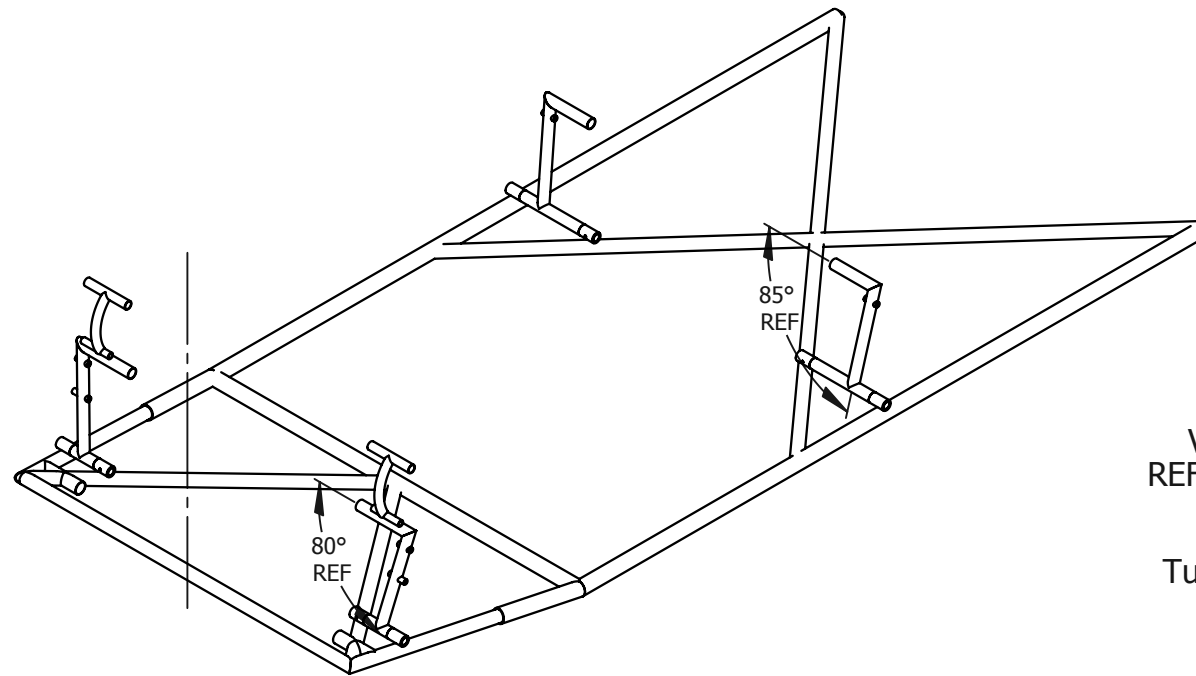
VR3 Part no 39097  
 REF: R&B Aircraft sht 29  
 Control Stick  
 No of pieces: 21  
 Tube Kit Weight: 5 lbs



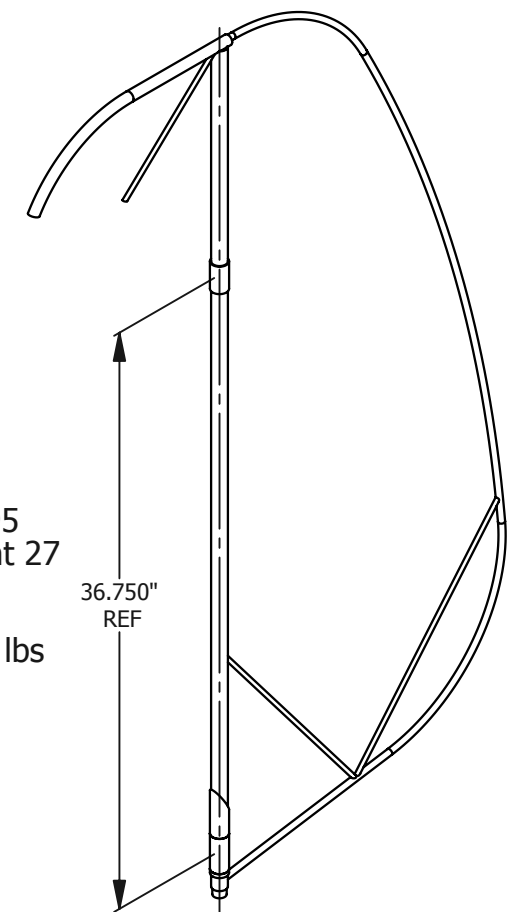
VR3 Part no 39094  
 REF: R&B Aircraft sht 21, 22  
 (Right side shown, Left side mirrored copy)  
 Elevator  
 No of pieces (both sides included): 66  
 Tube Kit Weight: 18 lbs



VR3 Part no 39096  
 REF: R&B Aircraft sht 26,27  
 Landing Gear  
 No of pieces: 12  
 Tube Kit Weight: 12 lbs



VR3 Part no 39098  
 REF: R&B Aircraft sht 30  
 (Fuselage shown for positioning purposes,  
 not included in Pedal kit)  
 Rudder Pedals  
 No of pieces: 40  
 Tube Kit Weight: 3 lbs



VR3 Part no 39095  
 REF: R&B Aircraft sht 27  
 Rudder  
 No of pieces: 11  
 Tube Kit Weight: 4 lbs